

# Crossbeam C30i & C30



*The C30i consolidates security services. The C30 adds Layer 2 switching to help consolidate network devices, too.*

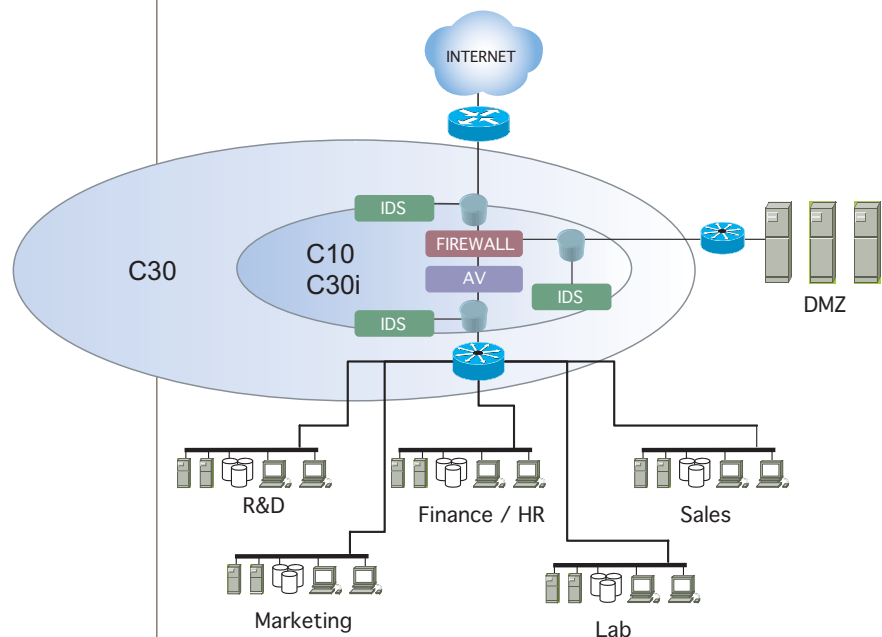
With consolidation at the top of IT managers' priorities, the C30i and C30 provide a flexible choice for consolidating just security services or security services *and* network switching. For remote offices and medium-size enterprises, there is no longer a reason to have separate boxes piled up for every new security function. Use the flexibility of the C-Series to consolidate at whatever level you need to and start saving on capital, maintenance and operational costs today.

The Crossbeam C-Series product line consolidates best-in-class security and networking functions. Whether you need a small-packet, high-performance Check Point firewall or an all-in-one perimeter defense system, the C-Series flexibly adapts to the security needs of your network without sacrificing best-in-class protection.




Don't trust your network to single-vendor claims of multi-function security. Only Crossbeam provides the combined benefits of the world's highest-rated security companies. Over 2000 security engineers work at Crossbeam's security partners every day to ensure that you stay ahead of the hacker threat. The C-Series consolidates this best-in-class security on the industry's first true network security switches.

**C30i:** the C30i expands performance dramatically in small-packet Web or VoIP deployments. Expandable to dual processors and dual power supplies, the C30i is the only network security device with StreamProtect overload protection that ensures no performance degradation under heavy attack conditions. In addition, the C30i can be upgraded to a C30.

**C30:** an industry first, the C30 consolidates both security AND networking functions for huge savings in remote office and medium enterprise networks. The C30 integrates Layer 2 switching, a virtual hardware tap for multi-segment monitoring, IDS load balancing across two C30 switches, StreamProtect, and complete firewall and content protection.



**Legend**

-  Router
-  Tap or switch with span port
-  Layer 2 Switch

# Crossbeam C30i & C30

## Features

### Selection Guide

PHYSICAL FEATURES	C30i	C30
High port density		X
Redundant power supplies	X	X
Gigabit (copper or fiber) and 10/100 Ports	X	X
SECURITY FEATURES		
High performance multi-application	X	X
Firewall acceleration (SecureXL)	X	X
Traffic mirroring and aggregation for IDS (Tap port)	X	X
IDS load balancing		X
StreamProtect	X	X
Radius and LDAP authentication	X	X
NETWORKING FEATURES		
Routing (OSPF, RIP and PIM Sparse Mode)	X	X
VLAN	X	X
Layer 2 switching <sup>1</sup>	(Future)	X
Rate limiting	(Future)	X
Multi-link trunking (802.3ad)	(Future)	(Future)

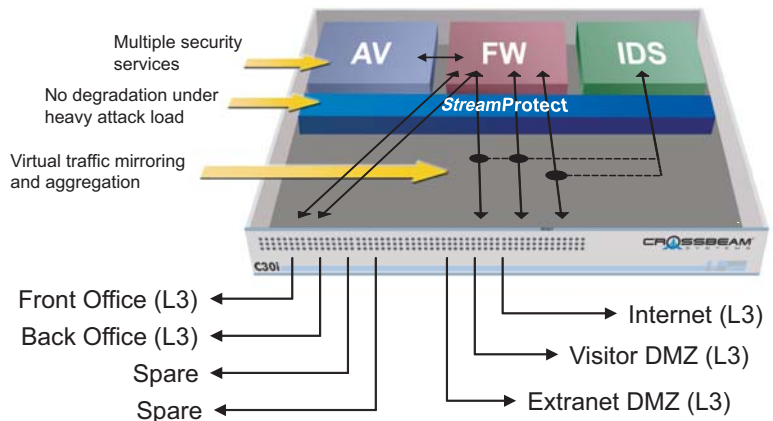
### SUGGESTED DEPLOYMENT

Small Office (25-99 people)		
Medium Office (100-500 people)	X	X
High Performance Hosting Center	X	X
Voice over IP (VoIP) Security	X	X
Managed Service Provider CPE	X	X

<sup>1</sup> VLAN on layer 2 ports planned for a future release

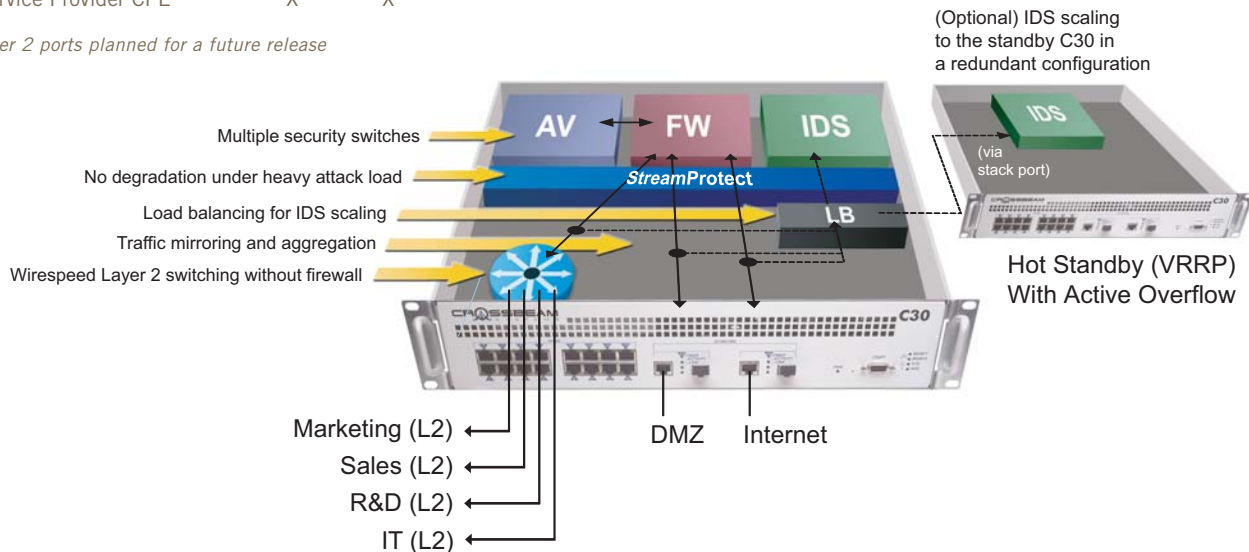
### C30i ARCHITECTURE

The C30i is ideal for consolidation of security functions or acceleration of single functions. Like the C30, the C30i uses StreamProtect to assure maximum processing efficiency in high-traffic attack conditions. StreamProtect also accelerates packet processing for small packet traffic (e.g. 64-byte) such as that found in VoIP applications.



### C30 ARCHITECTURE

The C30 is the ultimate flexible network security switch. It is designed to accelerate firewall and content security functions, double the processing capacity of IDS sensors, and incorporate wire-speed Layer 2 switching. The C30 uses an industry-first method that leverages a standby C30's processing power. This additional power enables full IDS processing even in high-traffic attack conditions.



# C30i & C30 Security Services Switch and Standards

## CHARACTERISTICS

Physical and Power	Dimensions: 90mmH x 435mmW x 635mmD (3.5" H x 17.5" W x 25" D); front and mid-rack mountable, standard 19" racks Weight: 32 lb. Power: 100-240 VAC, 460W	
Environment	Temperature: 0°–40° C (32°–104°F) Humidity: 10%–90% non-condensing Altitude: 3048 m (10,000 ft.)	
Regulatory Compliance	UL 60950; FCC Part 15, Subpart B, Class A; EN 55024; EN 55022; VCCI V-3; AS/NZS 3548:1995; CNS 13438 Class A; KN22, KN61000-4 Series, TTA. IC-950	
Status Indicators	System status LED, port status LEDs, power supply status LEDs, management ports status LEDs, hard drive status LED	
Console Port	1 x RS232	
Management Ports	2 x 10/100 Ethernet	
Interfaces	<b>C30i:</b> Standard version: choice of 4 copper 10/100/1000 or 4 fiber GE upgradeable to additional 2-port 10/100/1000 or GE modules	<b>C30:</b> 2 - Gigabit Ethernet fiber or 10/100/1000 copper, 16 - 10/100 Ethernet
Processors	<b>C30i:</b> Single or dual Xeon™ 2.40 GHz processors, upgradeable to include additional Broadcom® BCM 1250 network processor	<b>C30:</b> Broadcom BCM 1250 network processor, host module: single or dual Xeon 2.40 GHz processors
Memory	<b>C30i:</b> 1 GB to 4 GB of RAM for Xeon processor	<b>C30:</b> 512 MB of RAM for network processor, 512 MB to 4 GB of RAM for Xeon processor
Storage	40 GB enhanced IDE (Ultra ATA) hard drive, 7200 RPM	
Power Supplies	2 hot-swappable, dual-feed, 1:1 redundant power supplies	
Backplane	Upgradeable to C30	Full-duplex 2 Gigabit Ethernet backplane
Expansion Slots	Up to 2 add-on network cards and up to 1 add-on accelerated crypto engine	1 add-on accelerated crypto engine
Security Engines	Check Point VPN-1 Pro, Check Point Express, Web Intelligence, SSL Network Extender Aladdin eSafe, Advanced Anti-Spam Service, URL Filtering Service Enterasys Dragon IDS Sensor ISS RealSecure IDS Sensor SecureComputing SmartFilter	Snort Intrusion Detection System Squid Web Proxy Cache Trend Micro InterScan Messaging Security Suite (IMSS) Trend Micro InterScan Web Security Suite (IWSS) Trend Micro InterScan VirusWall and eManager Websense Enterprise
Dual System High Availability	Complete system redundancy; VRRP interface redundancy Check Point FireWall-1 sync Dedicated high availability link between systems	
Statistics and Accounting	Port statistics Host resources statistics	

## SUPPORTED STANDARDS

Interfaces	10/100/1000 Ethernet, 1000BASE-SX Ethernet, RS232, 802.1q VLANs
RFCs	791 (IP), 792 (ICPM), 826 (ARP), Static Routes, 854 (Telnet), 951 (BOOTP), 959 (FTP), 1157 (SNMP), 1519 (CIDR), 1812 (IPv4 routers), 2068 (HTTP), 2246 (SSL/TLS), SSH
Management access	Telnet, FTP, SSH, HTTPS, SSL, SNMPv1, 2c and 3, access control lists, traffic management, secure administrative access – multiple levels, read/write and read-only modes

## INTERFACE SPECIFICATIONS

Interface	Gigabit Ethernet (fiber)	10/100/1000 Ethernet (copper)	RS232
Connector Type	1000BASE-SX, LC, multimode	RJ-45	DB9
Maximum Distance	62.5 micron fiber – 275 m (902 ft.), 50 micron fiber – 550 m (1805 ft.)	Cat 5 – 100 M (328 ft.)	Cat 5 – 15 M (50 ft.)



## ORDERING INFORMATION

Product	Product Code
C30i Security Services Switch – 4 GigE (10/100/1000) Copper ports (RJ-45) + 1 Mgmt port and 1 HA port	C30i-4C
C30i Security Services Switch – 4 GigE SX Fiber (MMF) ports (LC) + 1 Mgmt port and 1 HA port	C30i-4F-SX
C30 Security Services Switch – 2 GigE (copper or fiber) + 16 10/100 Ethernet + 1 Mgmt port and 1 HA port	C30x-16C2F
C-Series Accelerated Cryptography Engine (ACE)	CS-ACE-S2
C30i 2-port add-on Network Card – 10/100/1000 Mbps (RJ-45)	CS-NC-GE-2C
C30i 2-port add-on Network Card – 1000 Mbps Fiber (SX)	CS-NC-GE-2F-SX

Crossbeam Systems is proud to partner with these best-in-class vendors:



We Secure the Internet.



## About Crossbeam Systems

Crossbeam Systems, Inc., is a leading global developer of total security solutions required for safer, simpler networks. Crossbeam enables companies to consolidate their security infrastructures while preserving their security policies, resulting in significant savings in capital and operational expenses. Crossbeam's patent-pending architecture integrates best-in-class security engines such as firewall, virtual private networks, intrusion detection and content security into high-performance, highly available, self-healing security services switches. The company has tailored solutions for global enterprises, carrier networks and medium-sized businesses. More information is available at [www.crossbeamsystems.com](http://www.crossbeamsystems.com).



[www.crossbeamsystems.com](http://www.crossbeamsystems.com)

Corporate Headquarters  
200 Baker Avenue  
Concord, MA 01742 USA  
p: [+1] 978-318-7500  
f: [+1] 978-287-4210

European Headquarters  
Village d'Entreprises Green Side  
400 Avenue Roumanille  
F-06906, Sophia Antipolis Cedex  
France  
p: [+33] (0)4 93 00 88 00  
f: [+33] (0)4 93 00 88 43

Asia Pacific Headquarters  
17/F, Kai Ley Tower  
16 Stanley Street  
Central  
Hong Kong  
p: [+852] 2868 9797  
f: [+852] 2314 0690